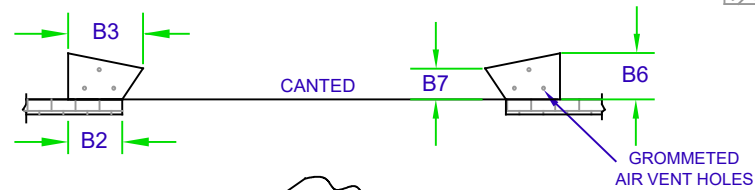
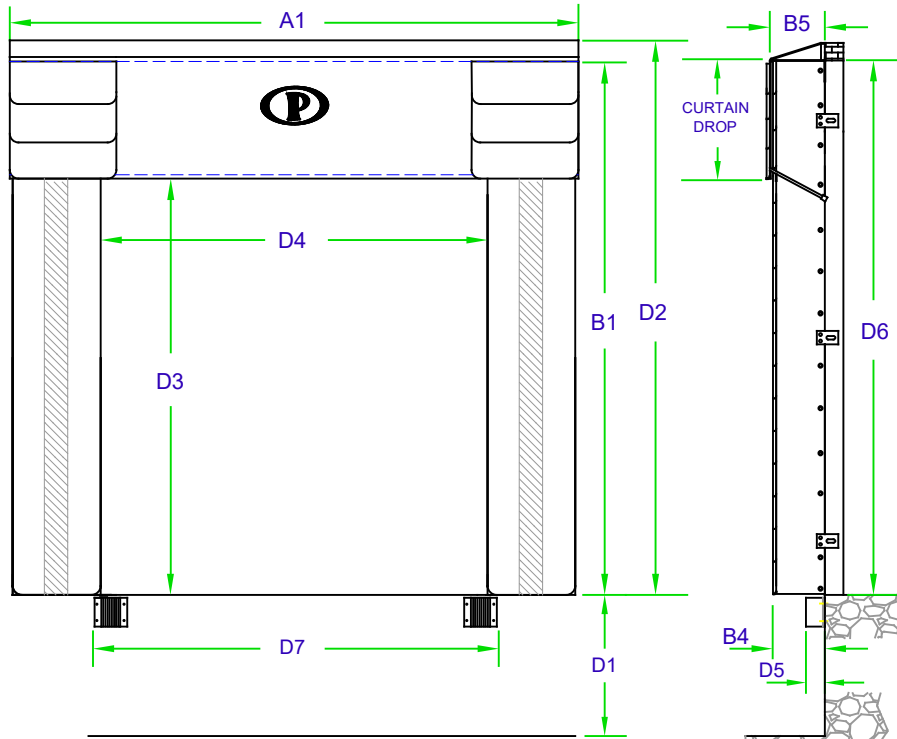
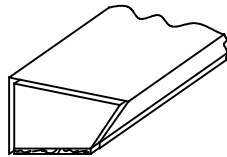


REDUCER DOCK SEAL: F - SERIES HEAD CURTAIN

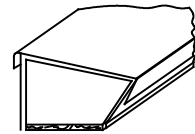
(F: 4" FOAM, EF: 1" FOAM, NF: NO FOAM)



ENTER SIDE PAD
BASE WIDTH:



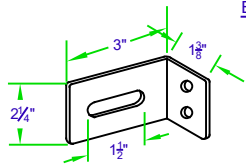
SINGLE BASE FABRIC



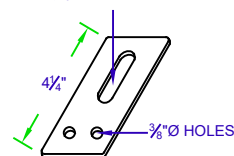
BASE FABRIC WITH
CONTACT FACE

GALVANIZED MOUNTING
BRACKETS

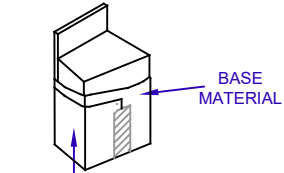
5/16" SLOT WIDTH



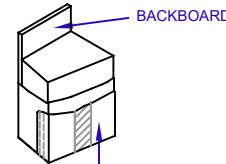
STANDARD ANGLE



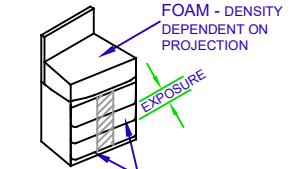
STANDARD FLAT



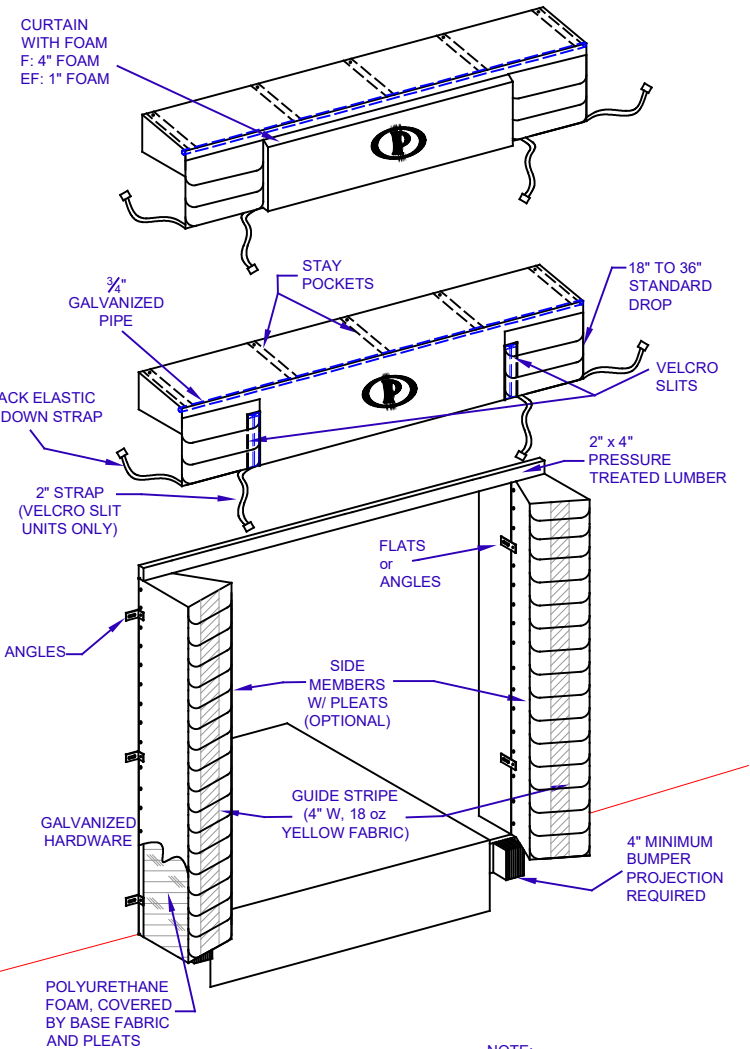
INSIDE WRAP
REINFORCED WITH EXTRA
MATERIAL ALONG THE
INSIDE OF THE SIDE PADS



WEAR FACE
REINFORCED WITH EXTRA
MATERIAL ON THE FRONT
FACE OF THE SIDE PADS



PERMA PLEATS
4" EXPOSURE
8" EXPOSURE
16" EXPOSURE



NOTE:
LOCATION OF ANGLES AND FLATS
DETERMINED BY INSTALLERS TO
SUIT WALL CONFIGURATION

DESIGNED FOR DOORS 9' OR HIGHER

DIMS.	HEAD CURTAIN DATA:	
A1 - _____	" LENGTH	MATERIAL - _____
CURTAIN DROP: _____	"	PERMA PLEATS: <input type="checkbox"/>
VELCRO SLITS: _____	"	PLEAT MATERIAL - _____
B5 - _____	" PROJECTION	EXPOSURE - _____
3 ROPE PULL-UP: <input type="checkbox"/> CURTAIN TYPE: F: <input type="checkbox"/> EF: <input type="checkbox"/> NF: <input type="checkbox"/>		
DIMS.	SIDE PAD DATA:	
B1 - _____	" LENGTH	BACK BOARD - W: <input type="checkbox"/> S: <input type="checkbox"/>
B2 - _____	" WIDTH AT REAR	MATERIAL - _____
B3 - _____	" WIDTH AT FACE	WEAR FACE: <input type="checkbox"/>
B4 - _____	" PROJ. AT BOTTOM	INSIDE WRAP: <input type="checkbox"/>
B5 - _____	" PROJ. AT TOP	PERMA PLEATS: <input type="checkbox"/>
B6 - _____	" OUTSIDE PROJ.	PLEAT MATERIAL - _____
B7 - _____	" INSIDE PROJ.	EXPOSURE - _____
SPECIAL INFORMATION:		

DIMS.	GENERAL INFO:	
D1 - _____	" DOCK HEIGHT FROM GROUND	APPROACH - DECLINE: <input type="checkbox"/> INCLINE: <input type="checkbox"/> LEVEL: <input type="checkbox"/>
D2 - _____	" UNIT HEIGHT	D5 - _____
D3 - _____	" INSIDE OPENING HEIGHT	D6 - _____
D4 - _____	" INSIDE OPENING WIDTH	D7 - _____
		D8 - _____



JOB:	
DEALER:	DATE:
CONTACT:	QUOTE #:
APPROVED BY SIGNATURE:	